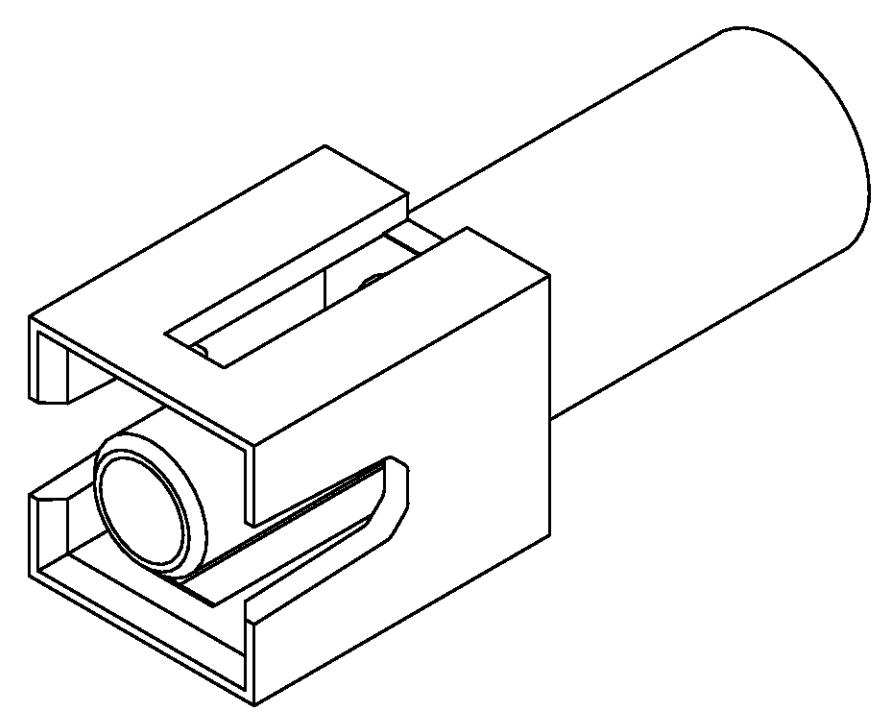
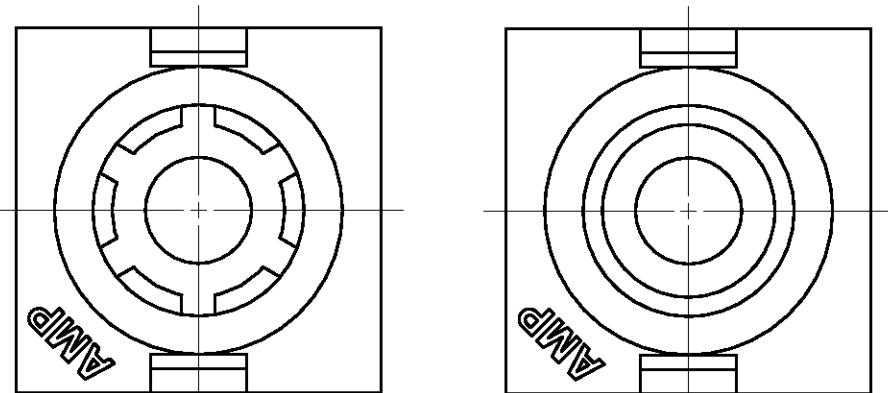
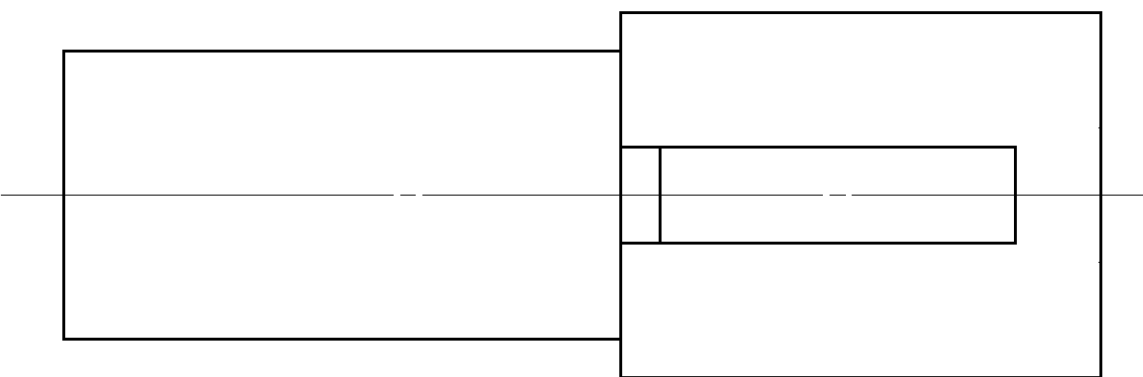
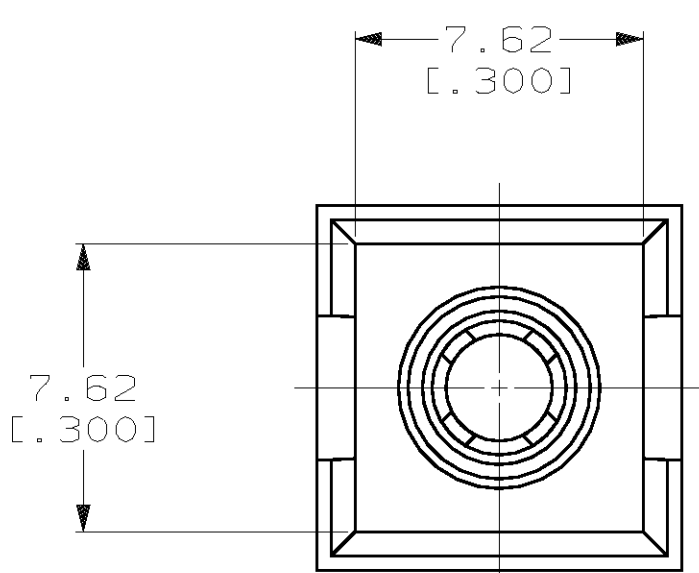
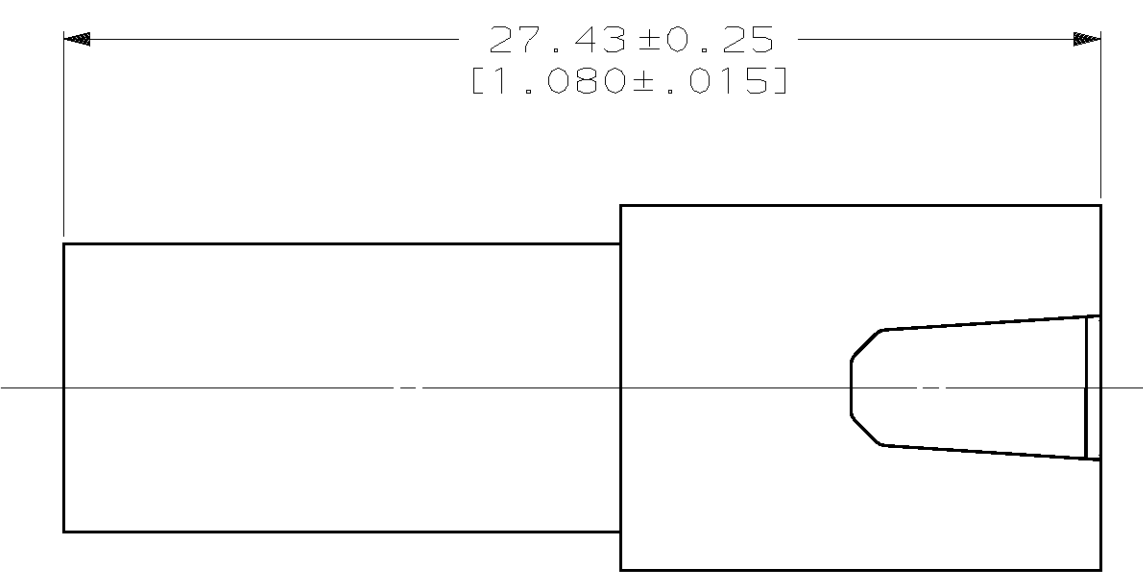
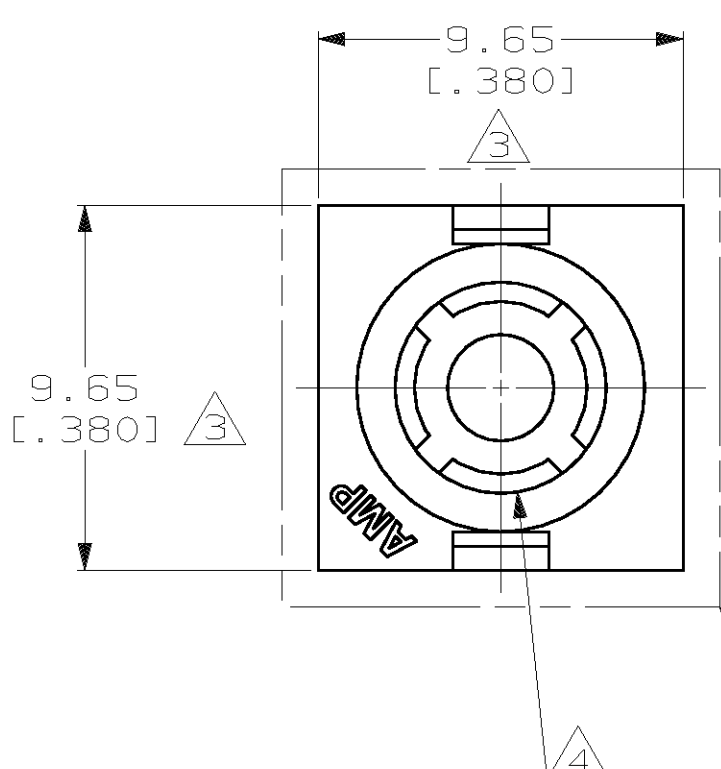


LOC		DIST		ZONE		LTR		REVISIONS		DATE	APPD
CM	53	P	F			P		REV PER EC	OG1B-0184-98	10-15-98	JH RS



- MATES WITH HOUSING 350865.
- DIMENSIONS IN BRACKETS ARE IN INCHES.
- △ DIMENSION INDICATED IS AS MOLDED. ADDITIONAL GROWTH DUE TO SUBSEQUENT MOISTURE ABSORPTION MAY OCCUR.
- △ FOUR RIBS EQUALLY SPACED, NO SPECIFIC ORIENTATION. NO RIBS OR SIX RIBS EQUALLY SPACED, NO SPECIFIC ORIENTATION, OPTIONAL.

**METRIC**

DO NOT SCALE PRINT. UNLESS SPECIFIED DIMENSIONS IN mm [INCHES] TOLERANCES ON : 2 PLC DEC ± 0.13 [0.005] 3 PLC DEC ± - ANGLES ± - MATERIAL NYLON, UL 94V-0		DR 8-12-91 K. WHITAKER	AMP Incorporated Harrisburg, PA 17105-3608	
FINISH -	APPLICATION SPEC -	CHK 8-12-91 R. SWING		
APPD 8-12-91 D. SELF		NAME CAP, SINGLE CIRCUIT, UNIVERSAL MATE-N-LOK™		
APPD 8-12-91 D. SELF		DRAWING NO 350866		
PRODUCT SPEC -		SIZE C 00779	SHEET 1 OF 1	
WEIGHT -		SCALE 5:1	PART NO 350866-1	